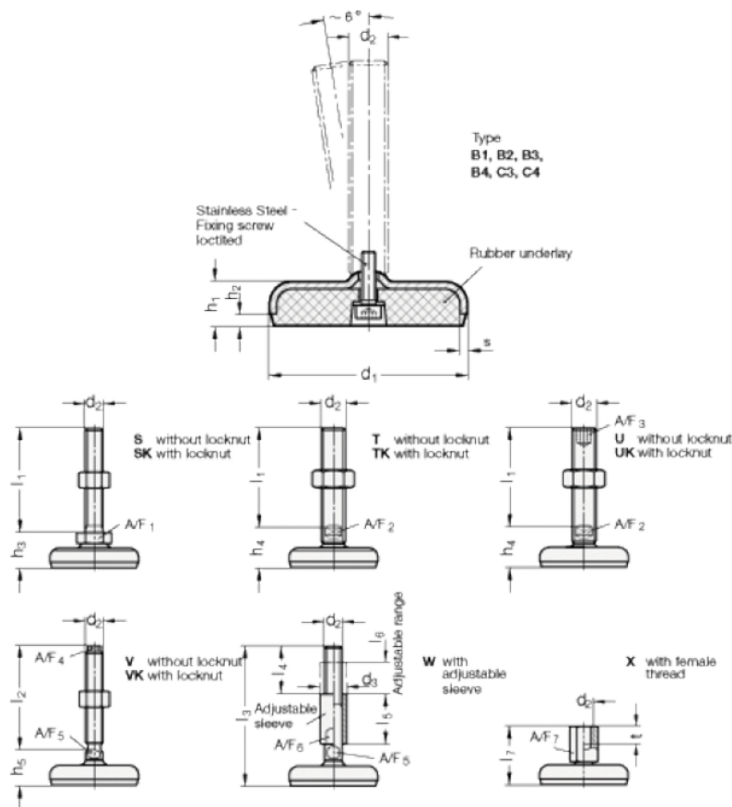


Article number: 203180M16125B3W

Description: E+G levelling foot  
GN 31-80-M16-125-B3-W

Note: W With adjustable sleeve , Hygienic Version, Wrench flat at the bottom

## Measures



A/F5 = 12	I3 +4.0/0 = 125
A/F6 = 20	I4 = 45
d1 = 80	I5 = 45
d2 = 16	I6 = 29
d3 = 24	s = 3
h1 = 18	
h2 = 5	
I1 = 125	